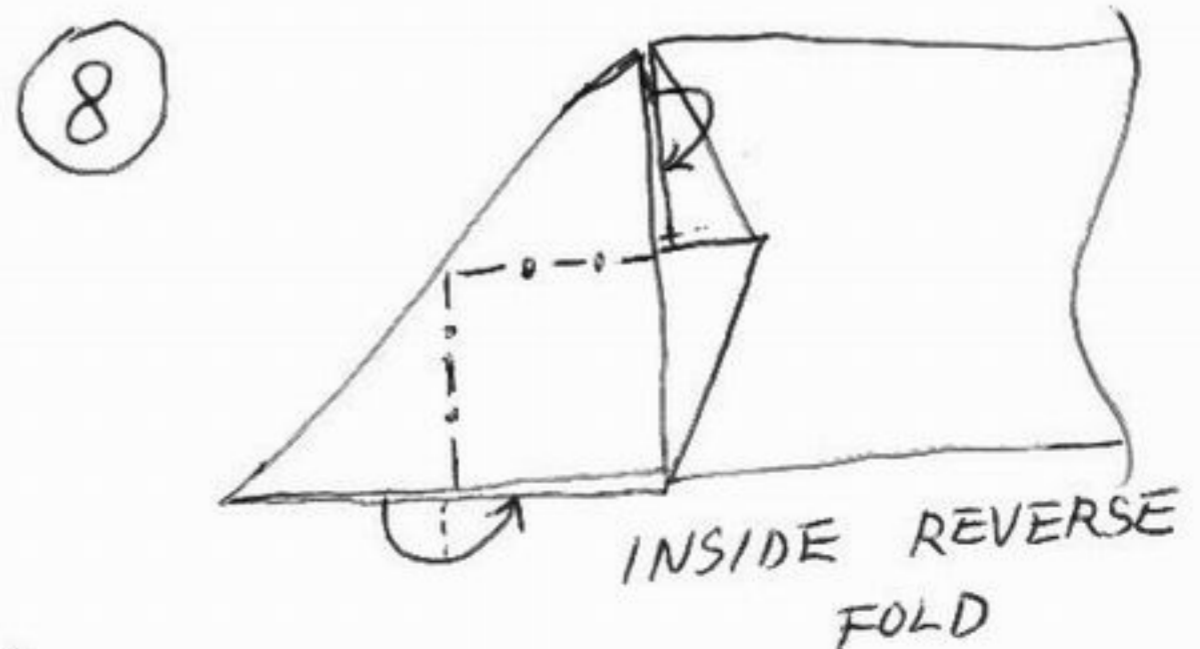
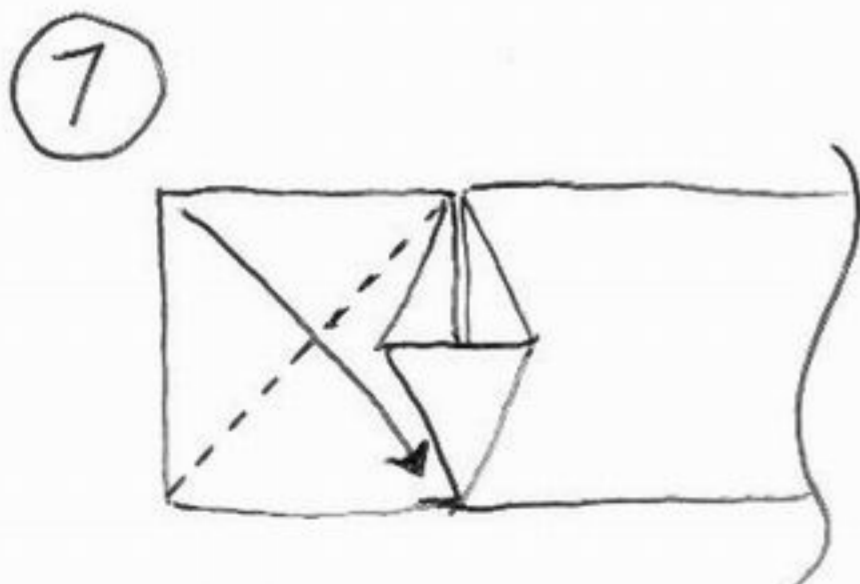
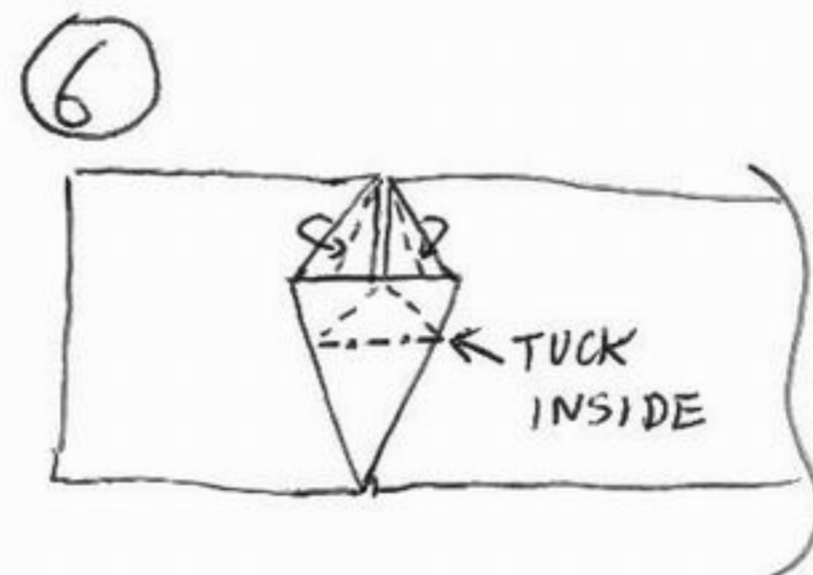
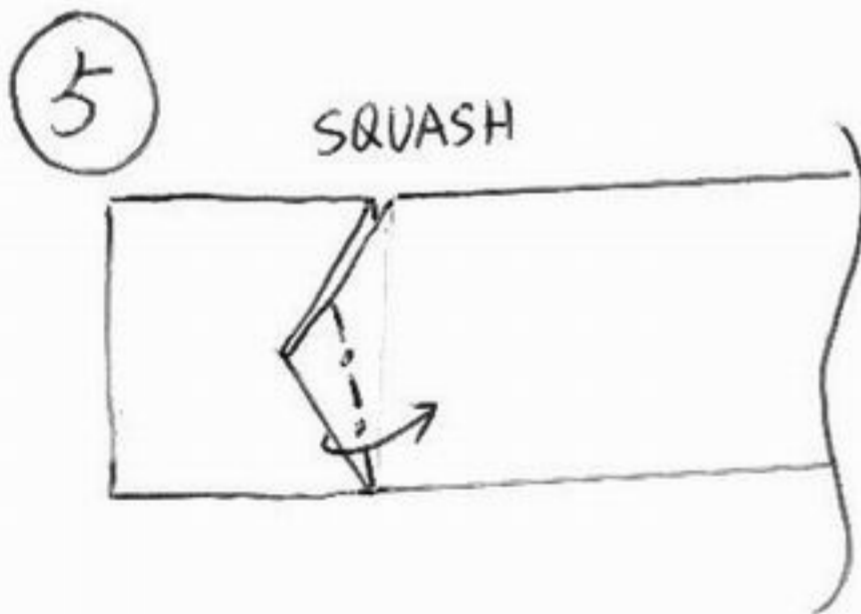
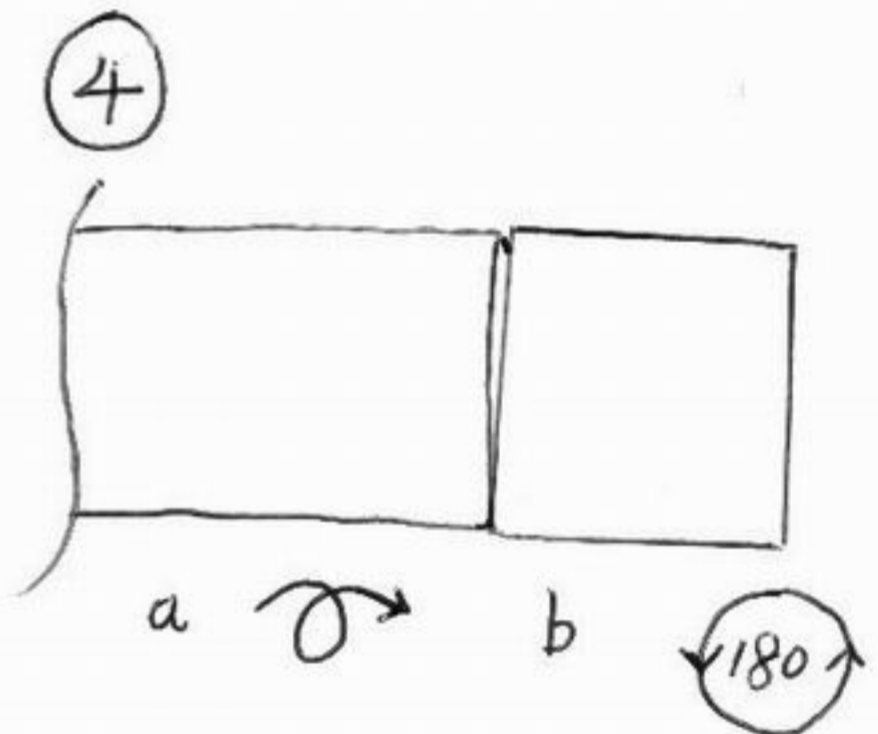
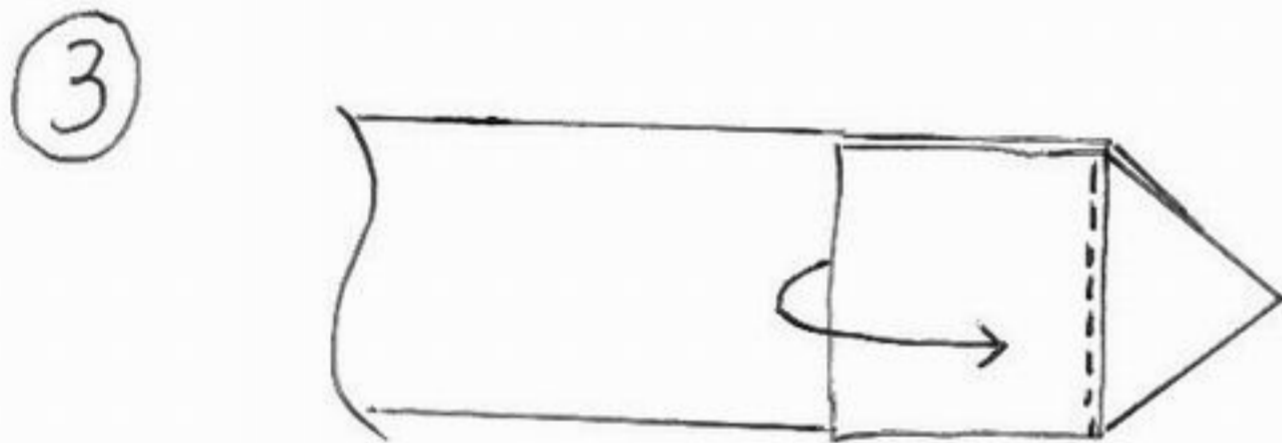
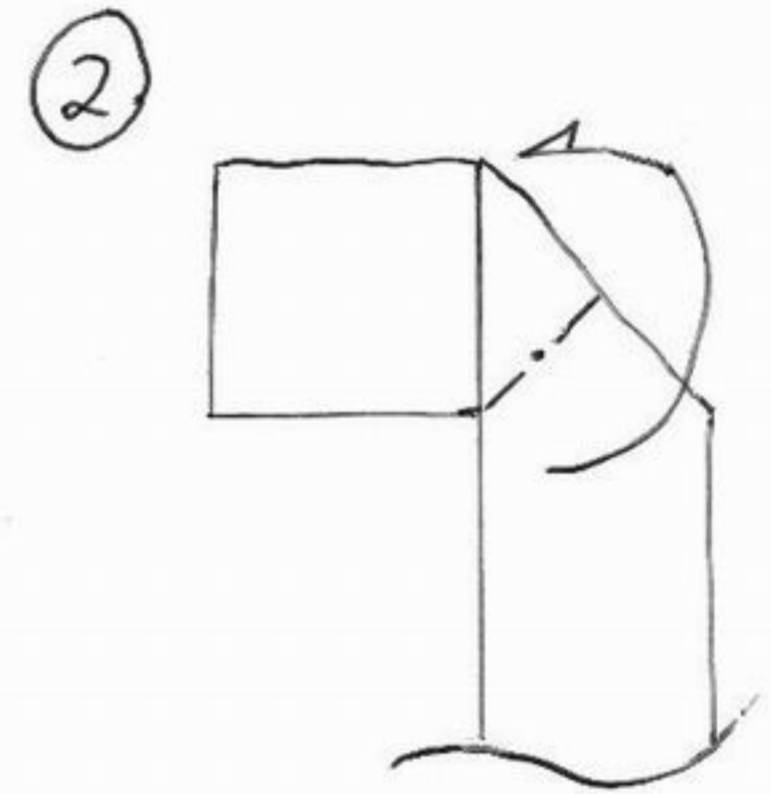
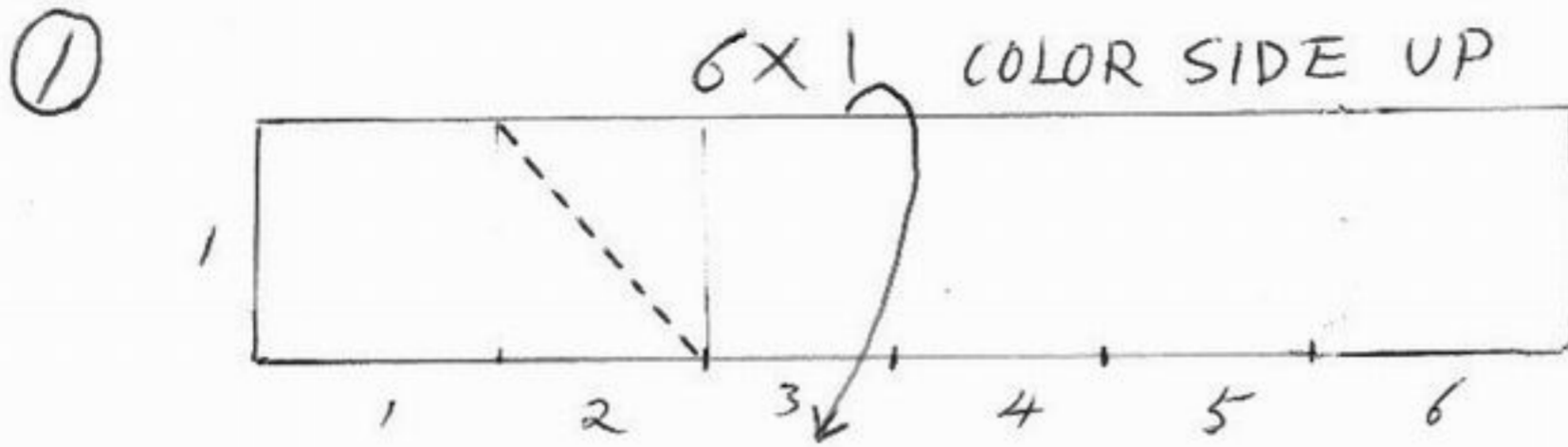


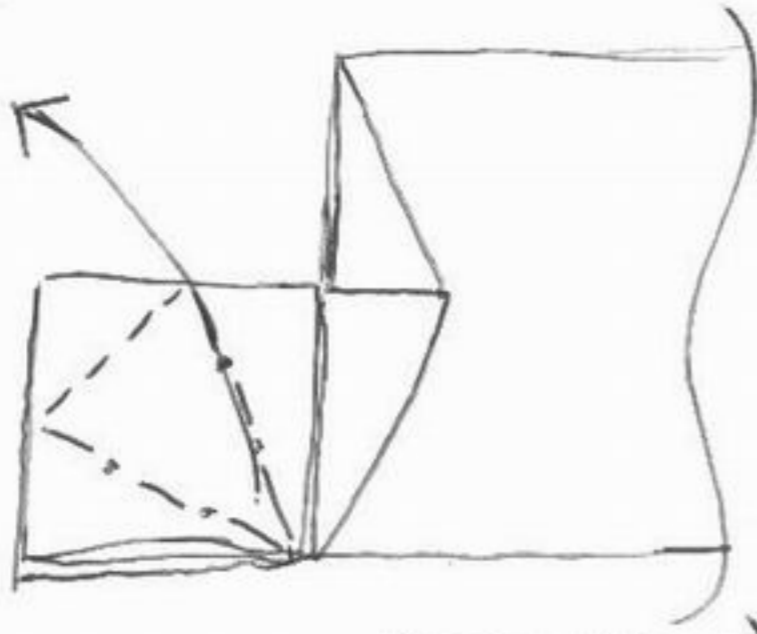
CRANE IN HEART

DESIGN BY FRANCIS OW

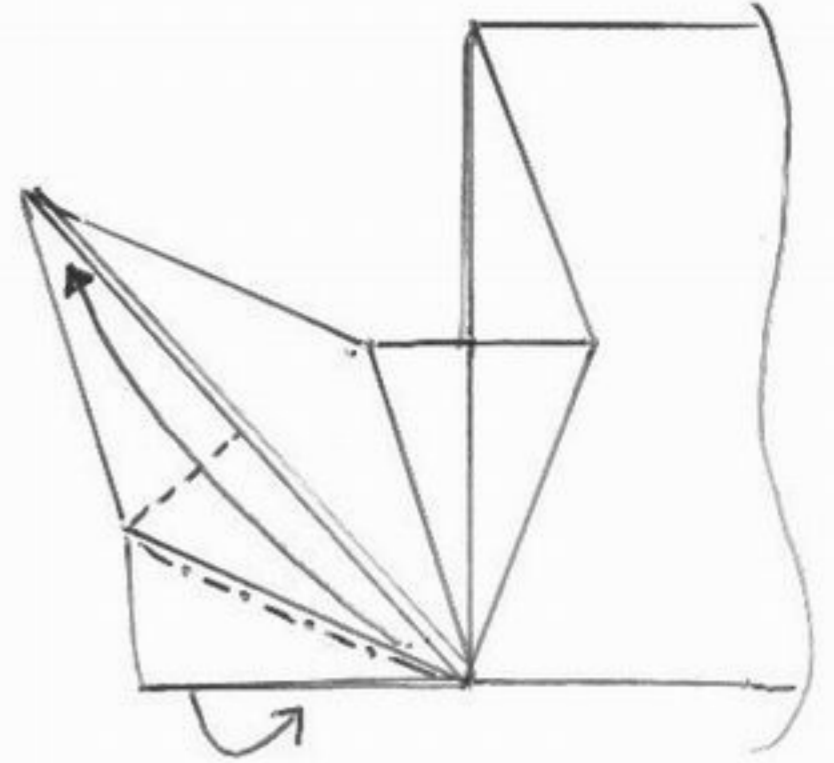
BEST START WITH 48cm X 8cm



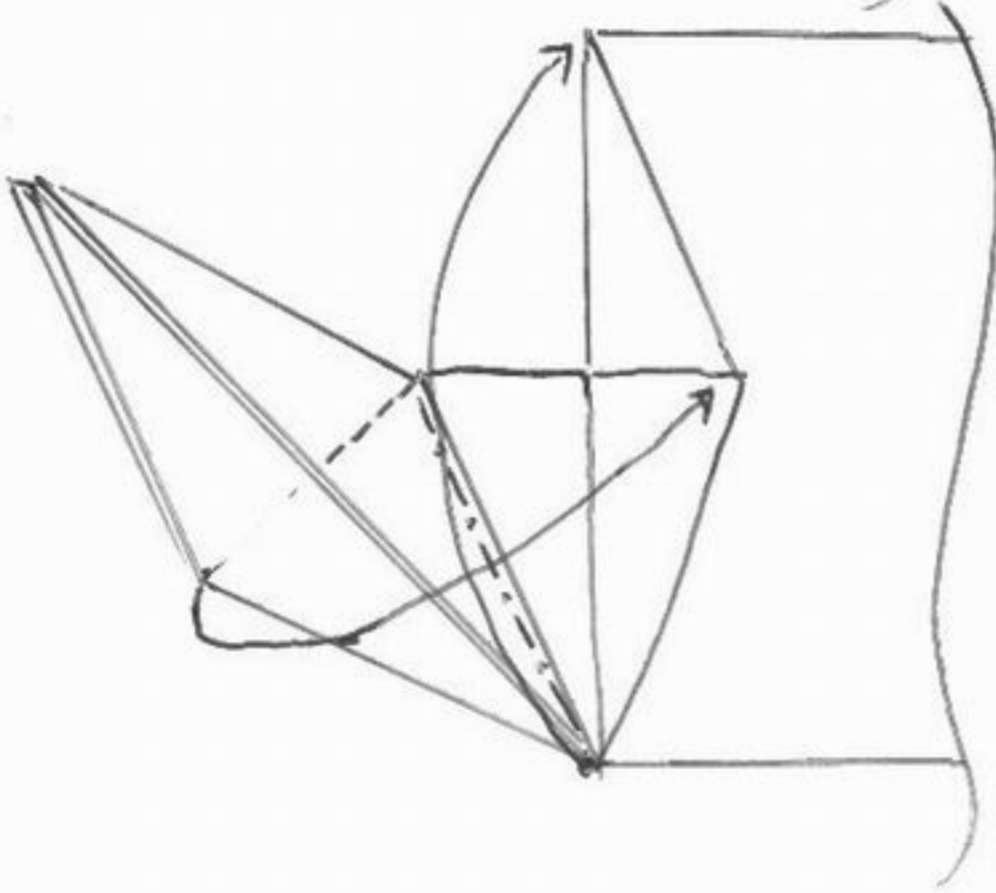
9



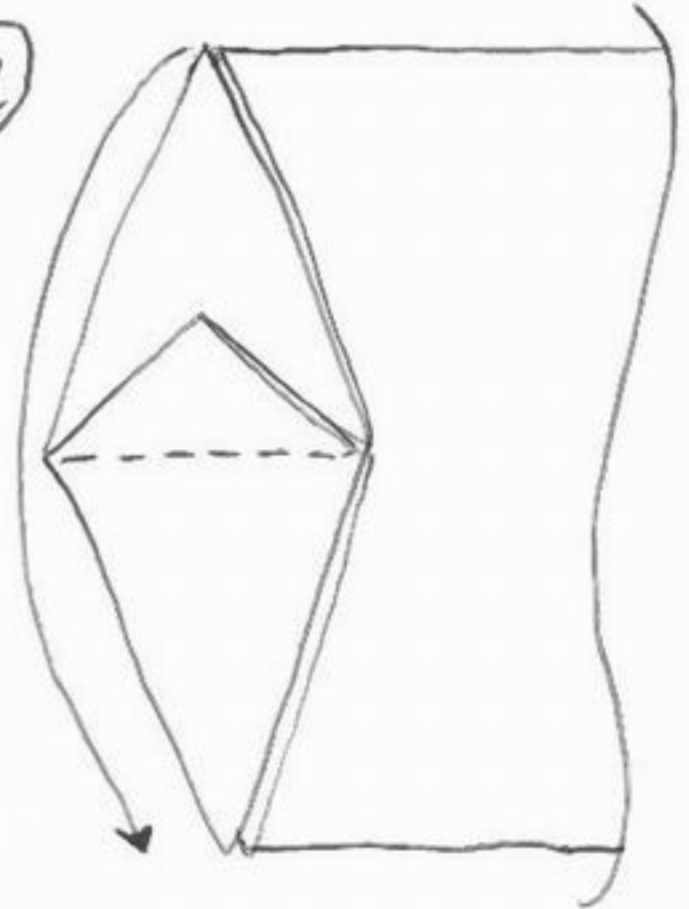
10



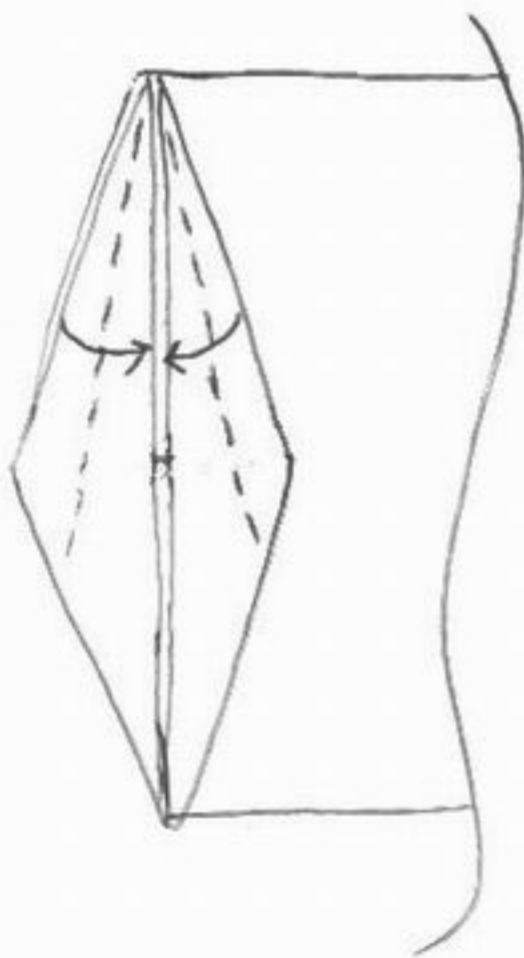
11



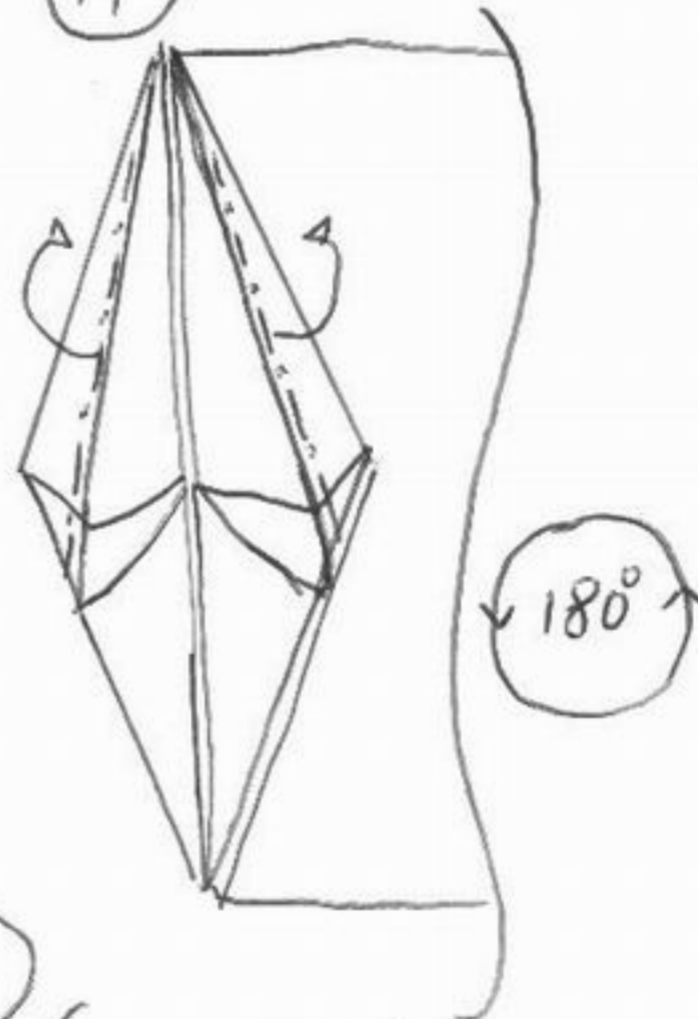
12



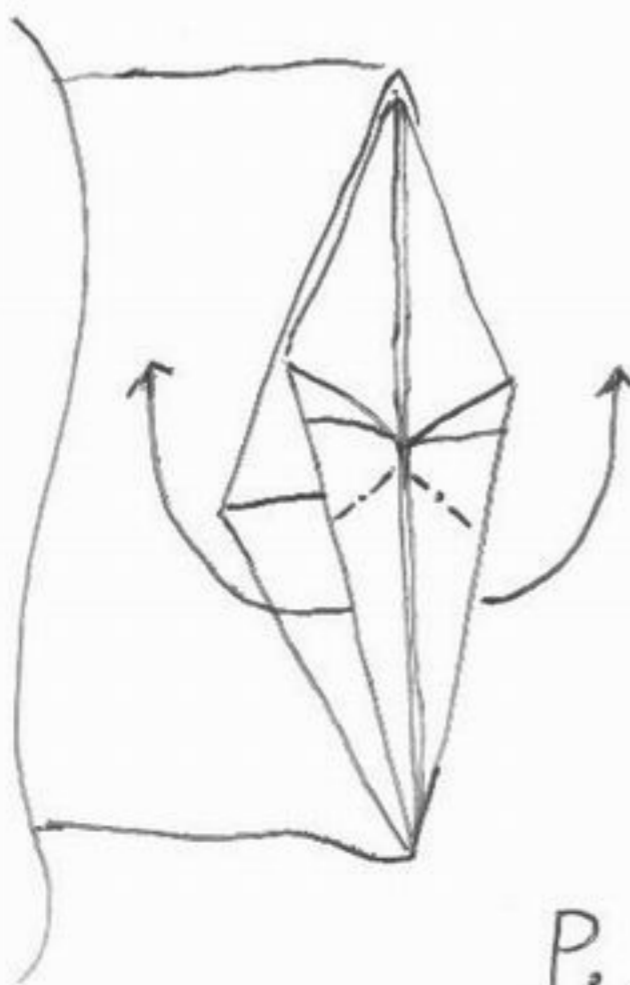
13



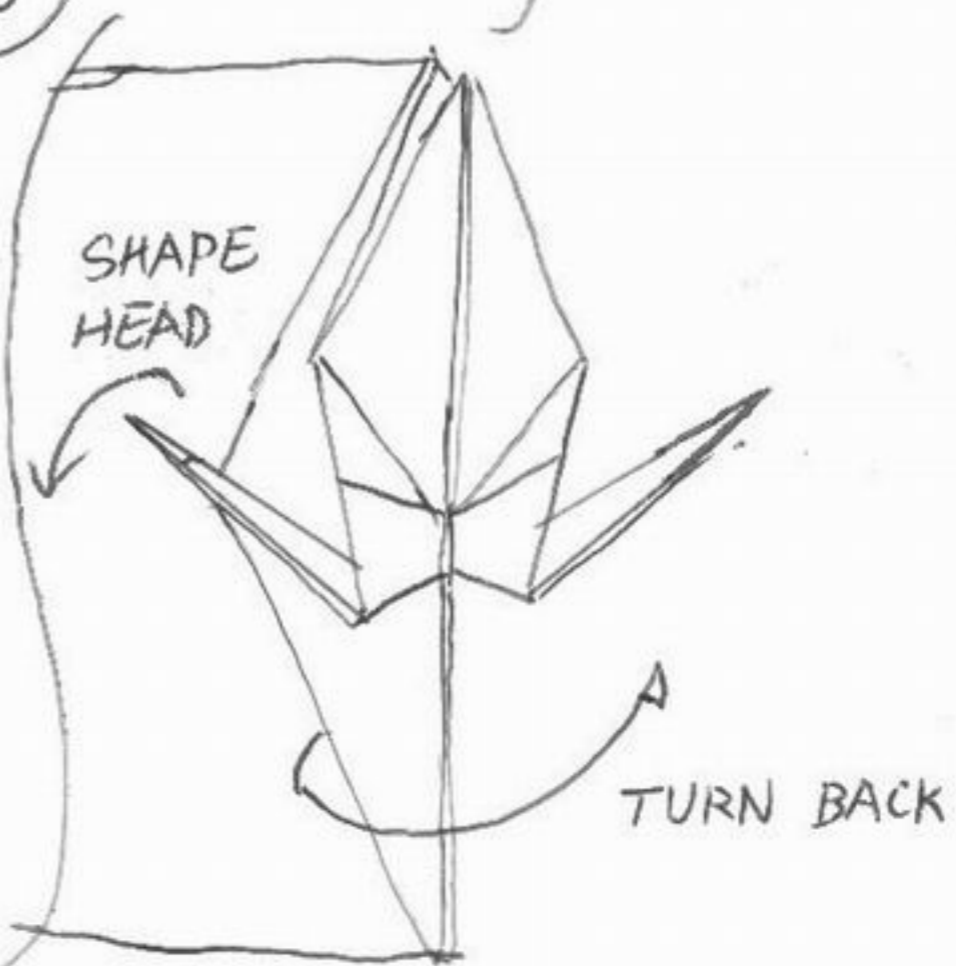
14



15

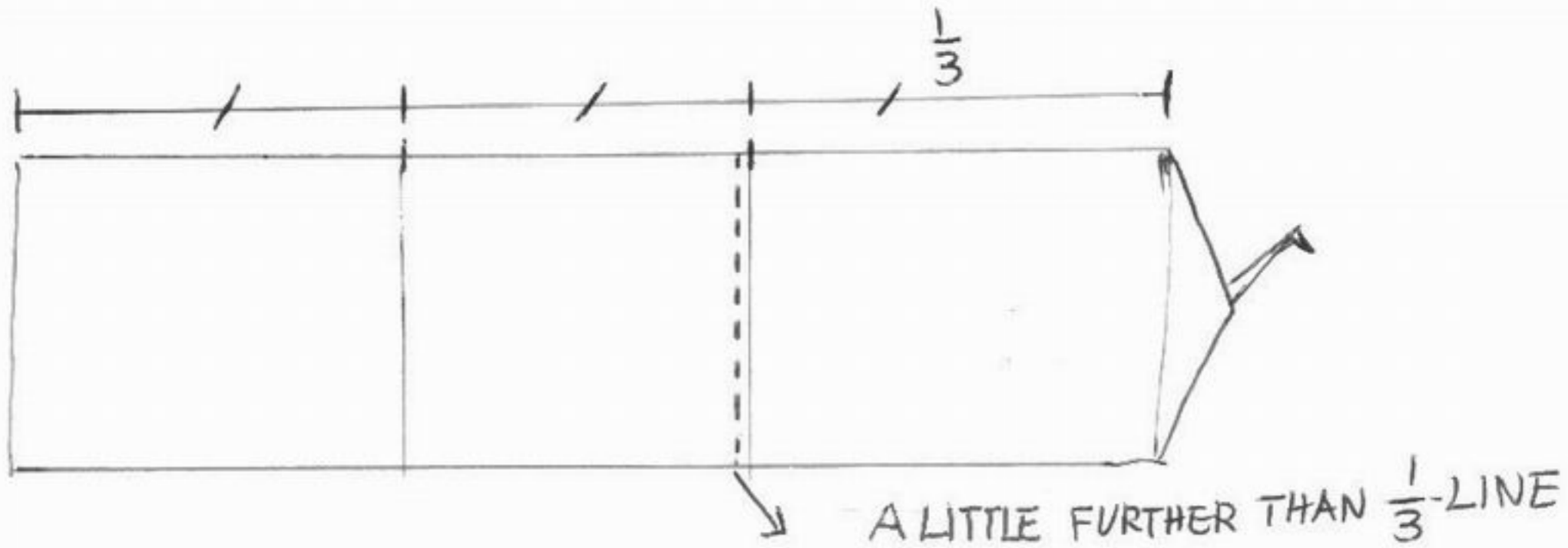


16

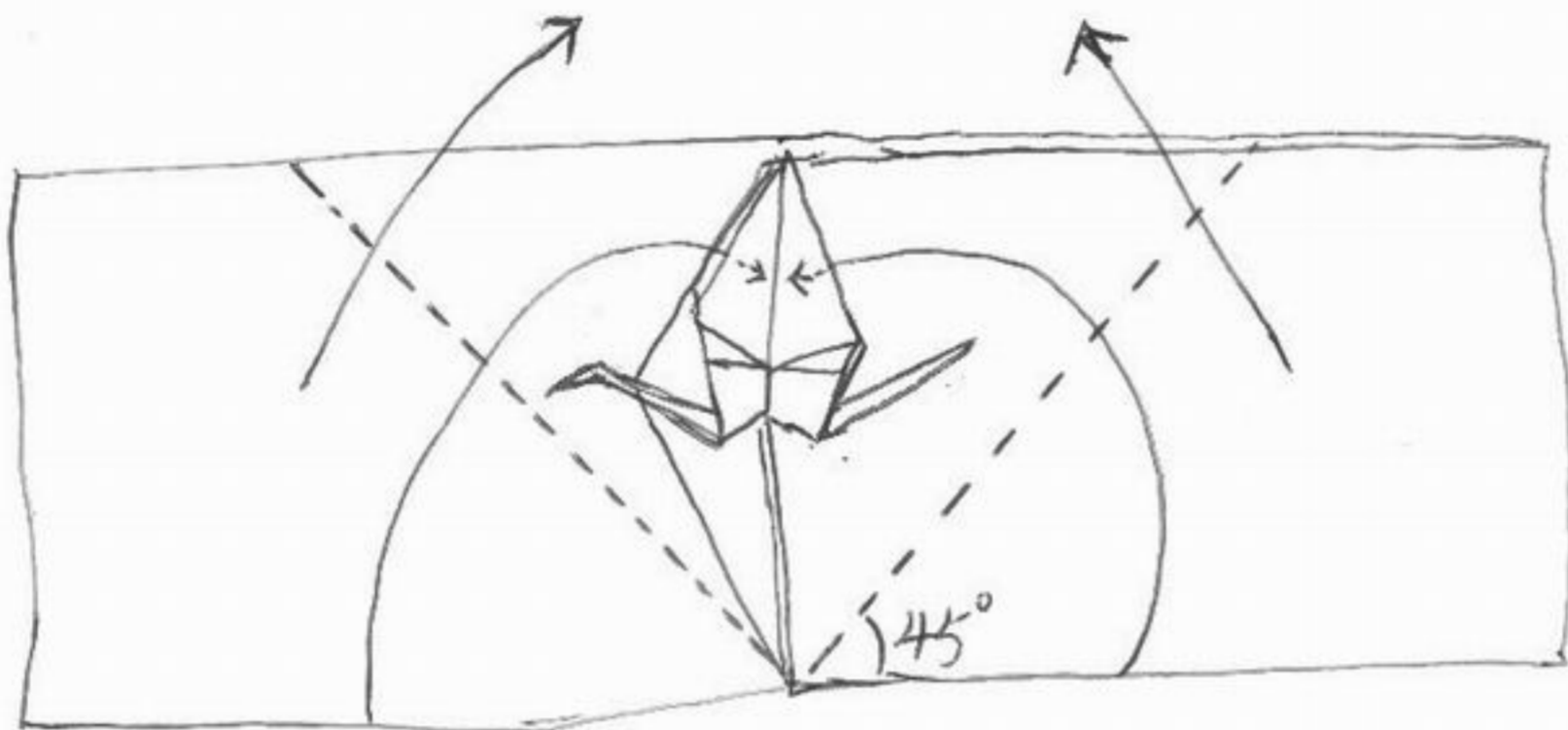


P. 2

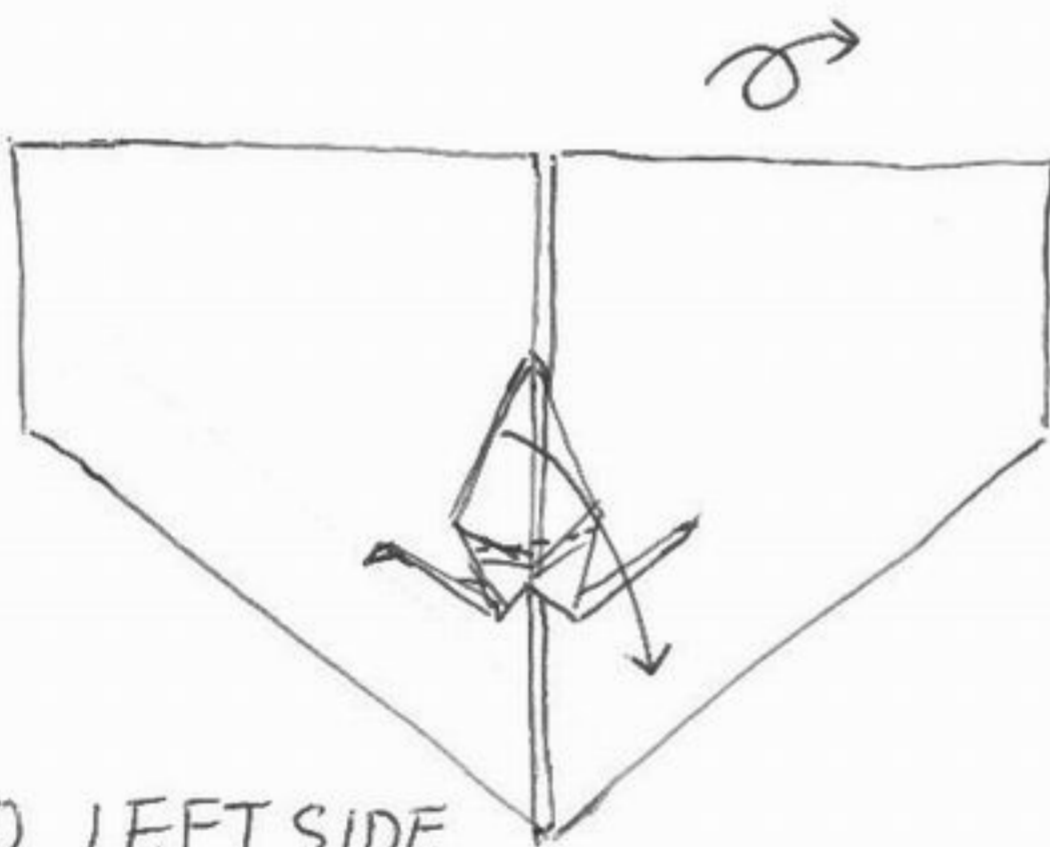
17



18

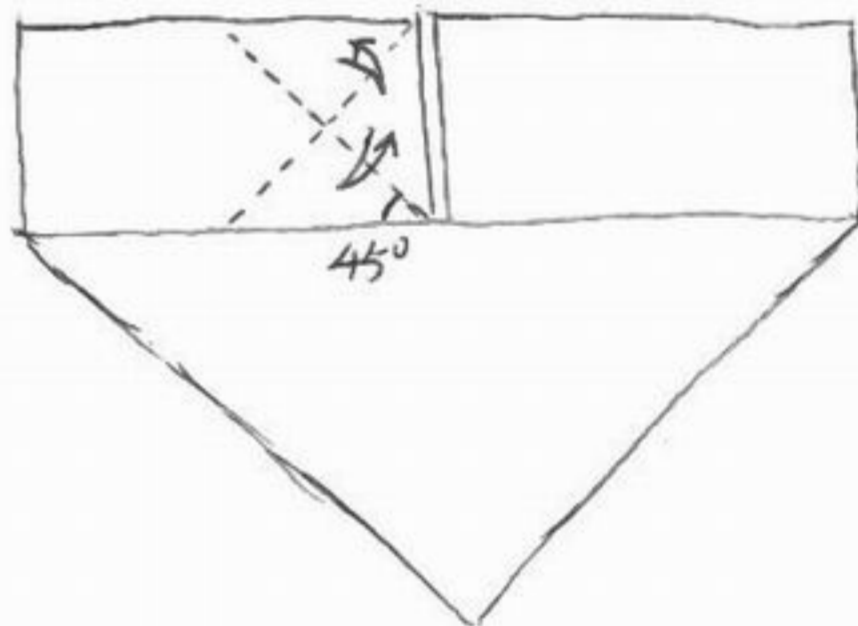


19



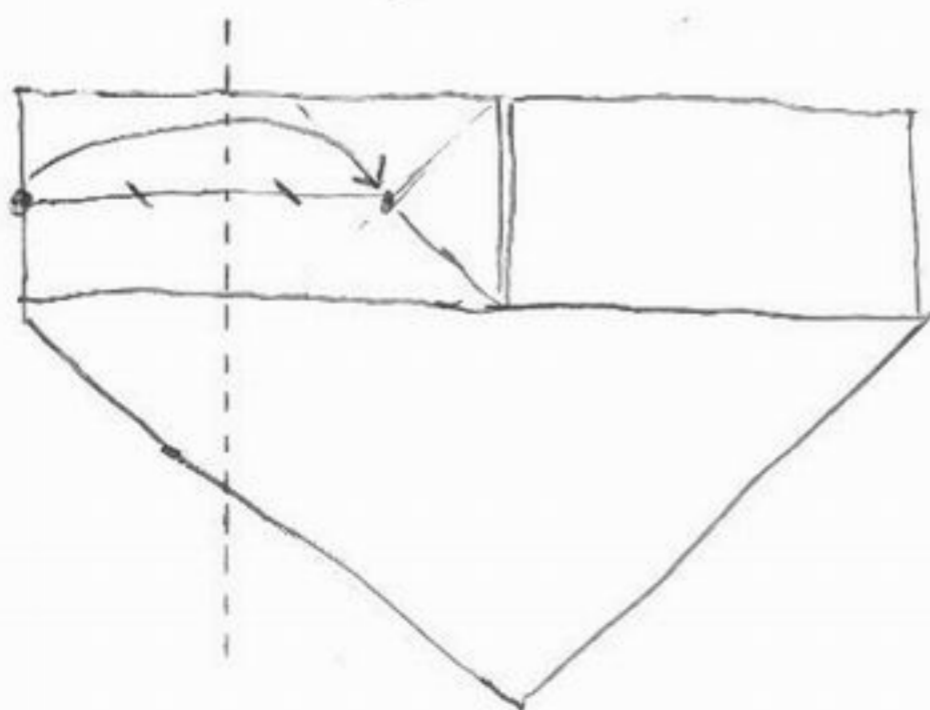
20

PRECREASE

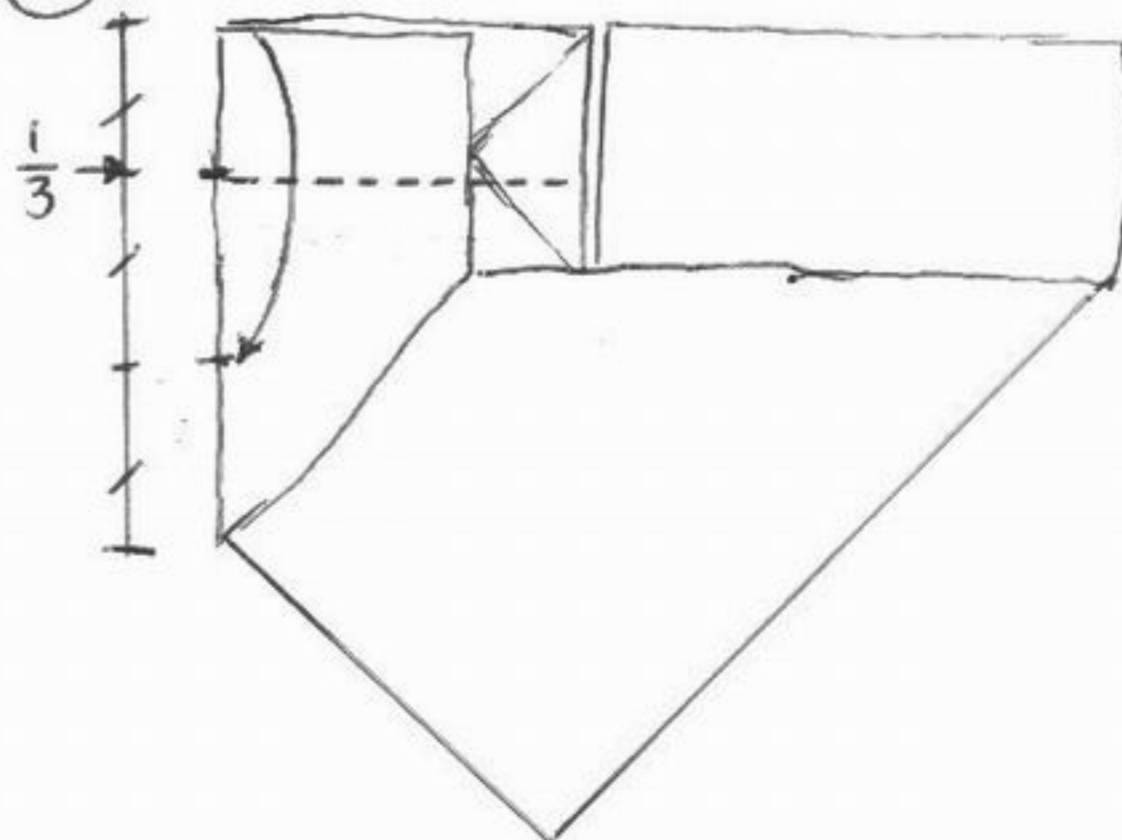


DO LEFT SIDE ONLY ⇓

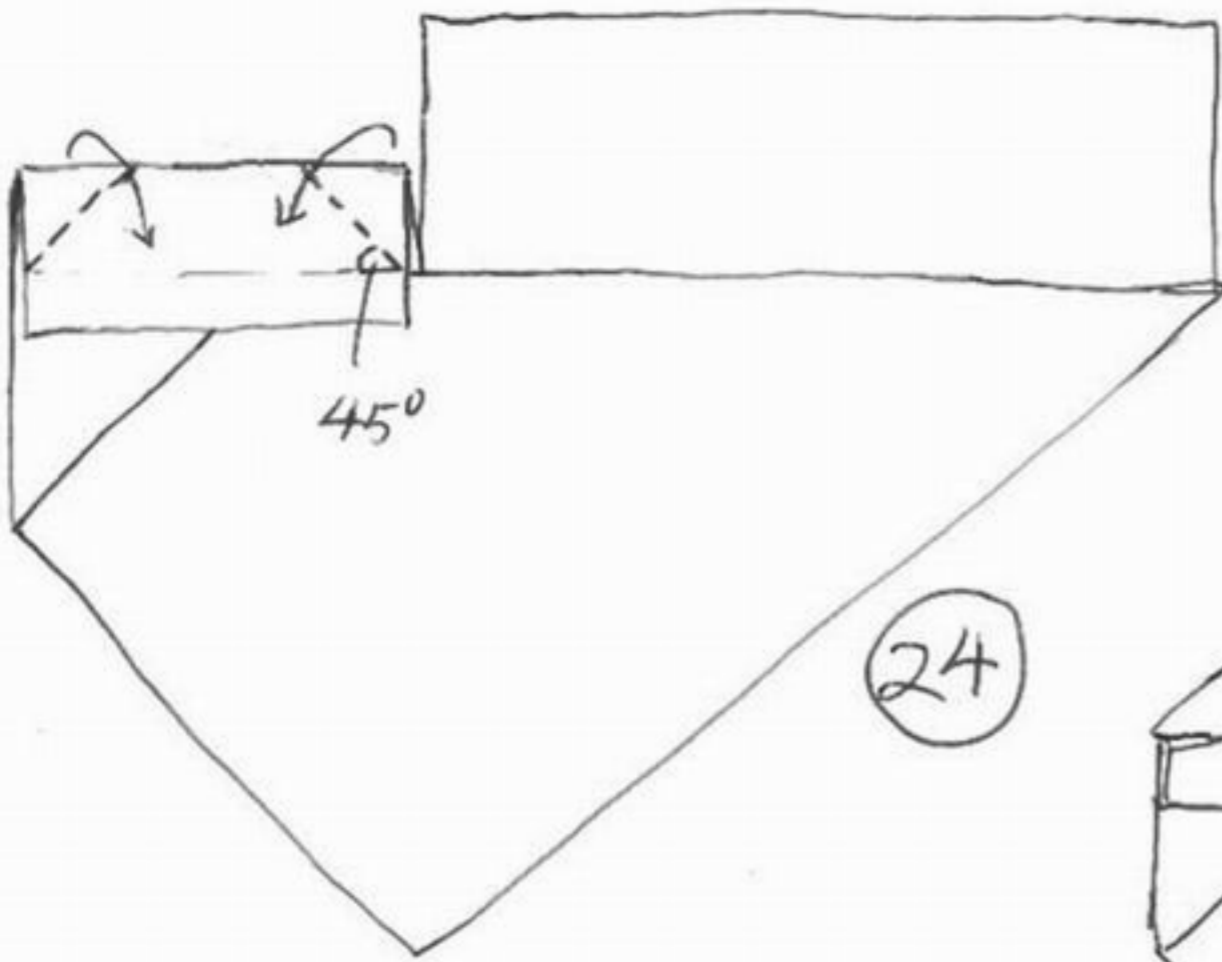
21



22



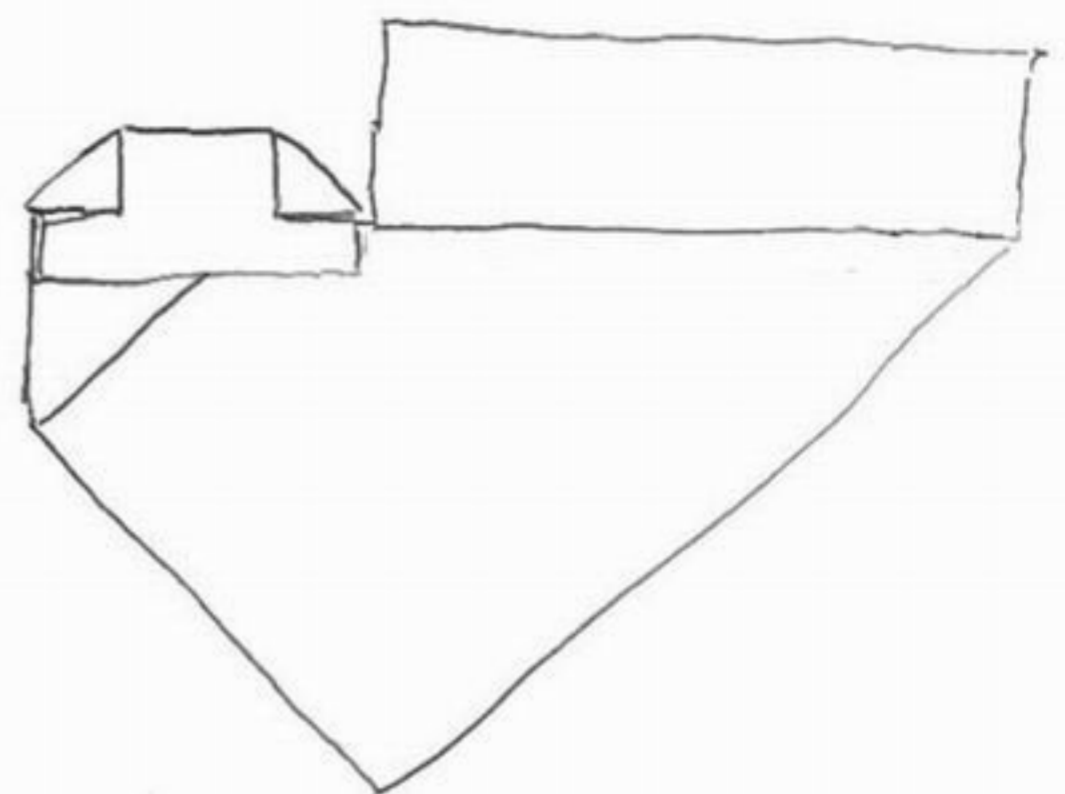
23



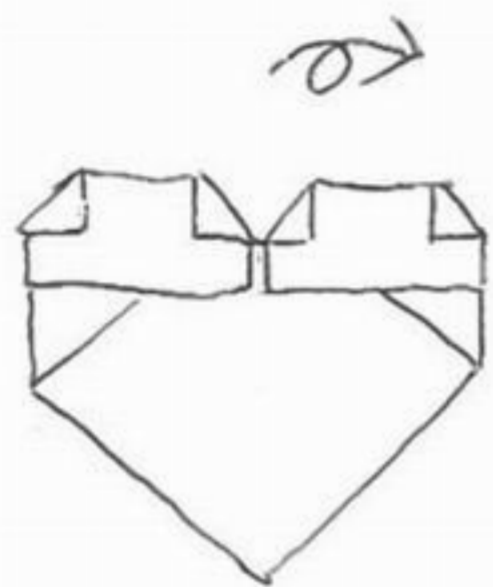
REPEAT ON THE RIGHT SIDE TO MAKE IT SYMMETRICAL TO THE LEFT SIDE



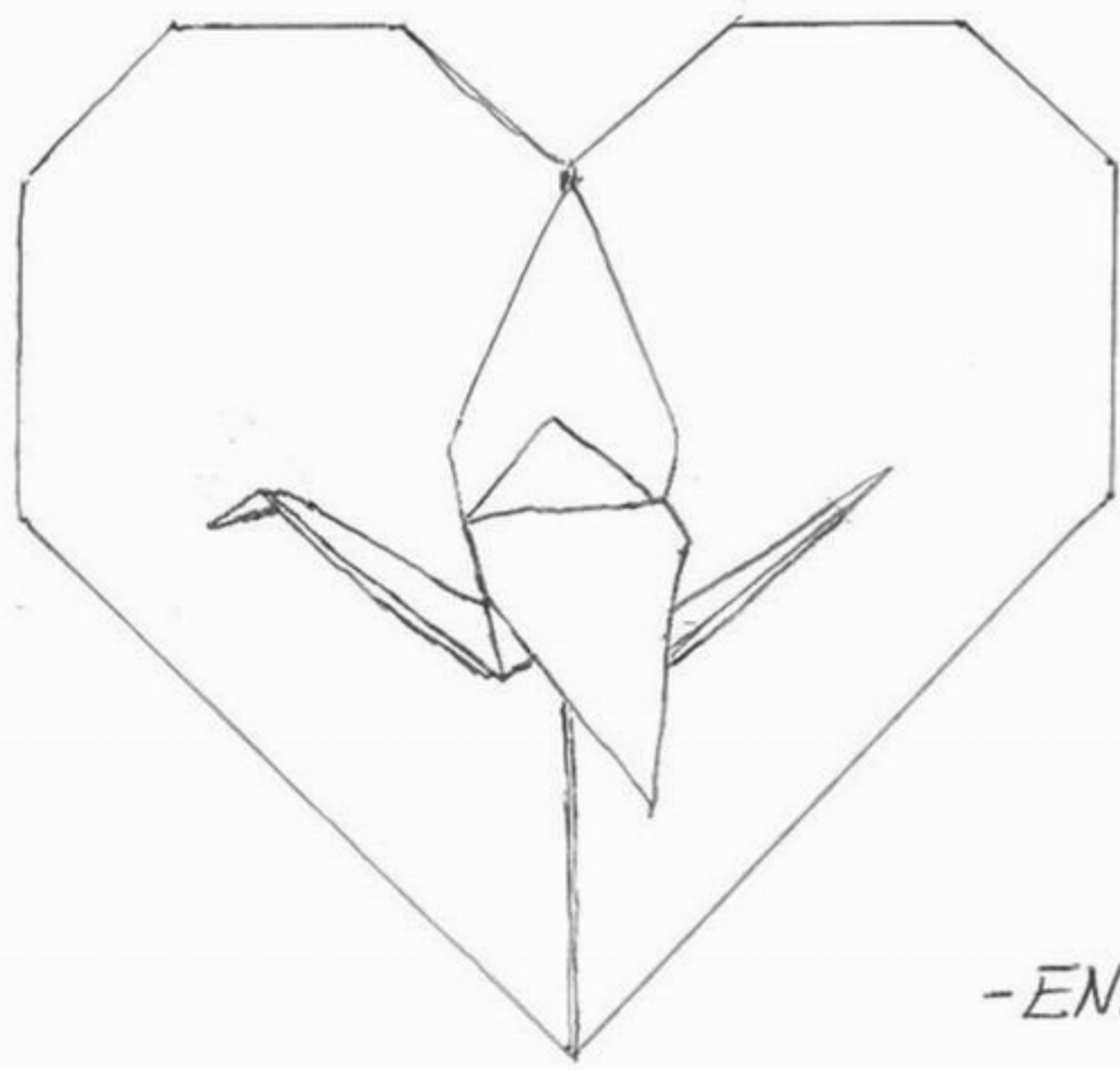
24



25



ACTUAL SIZE



-END-