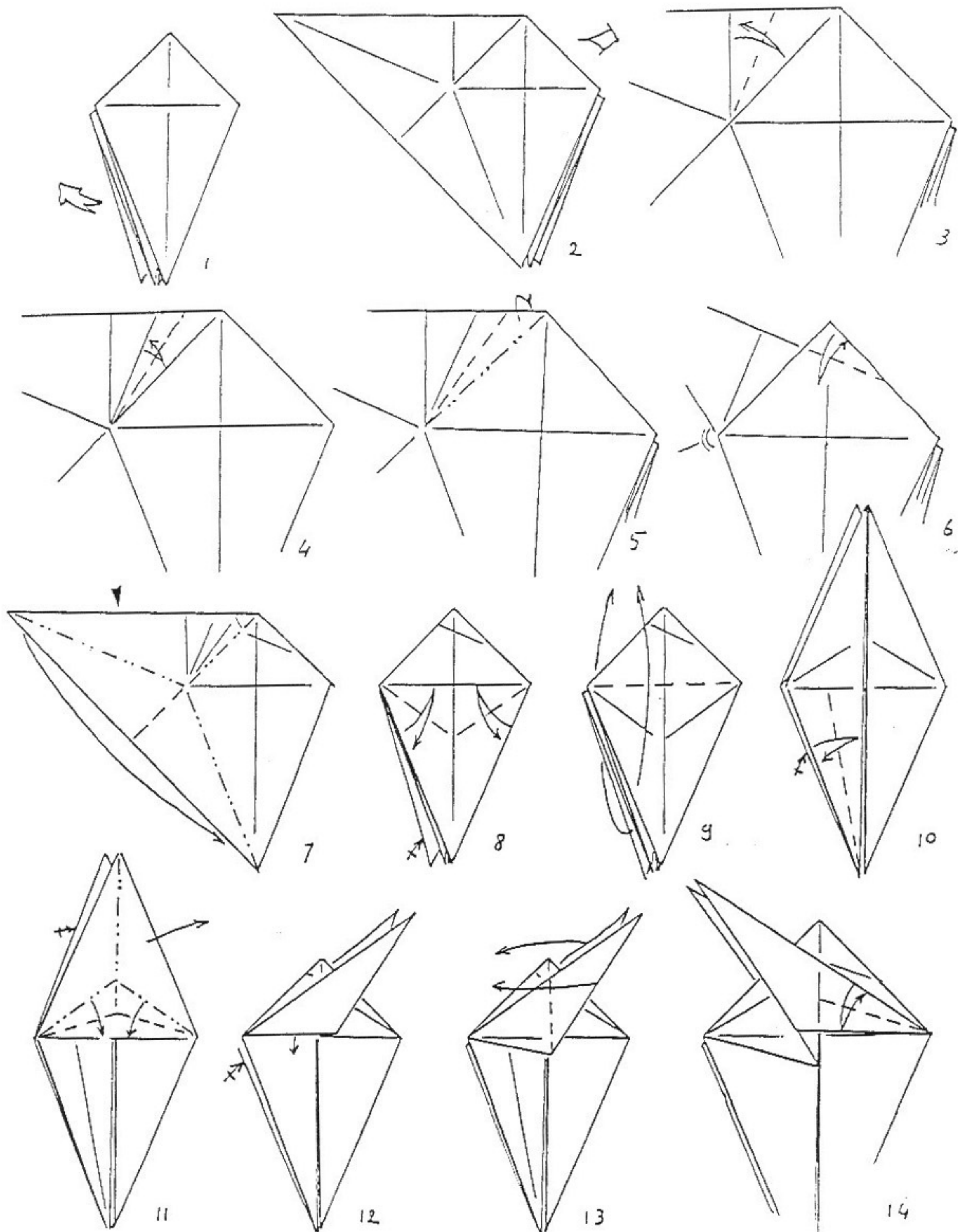


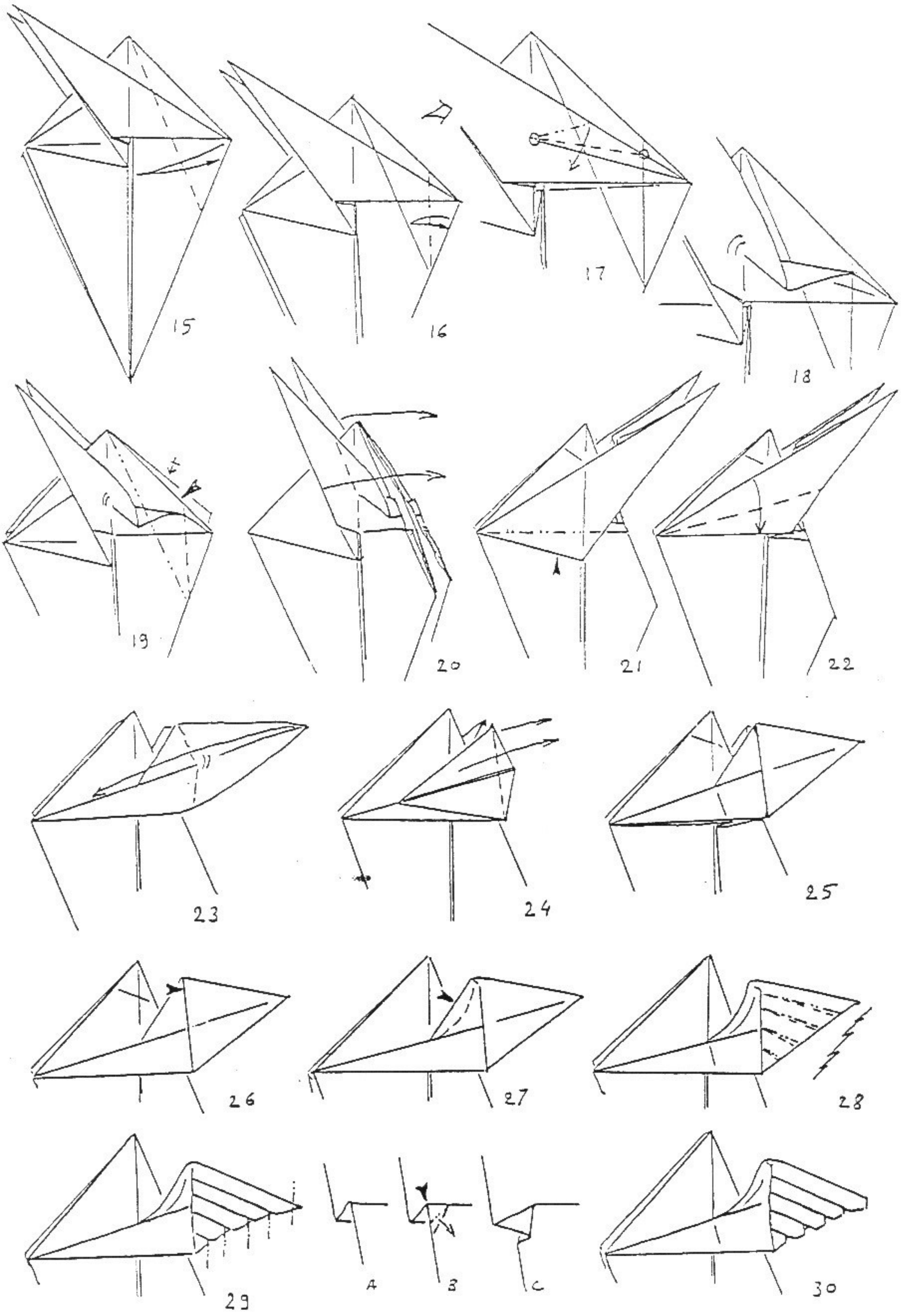
This diagram is solely distributed on (Gabriel Vong's Ori-Scope <http://ori500.free.fr>) and is meant for personal and non-commercial use only.

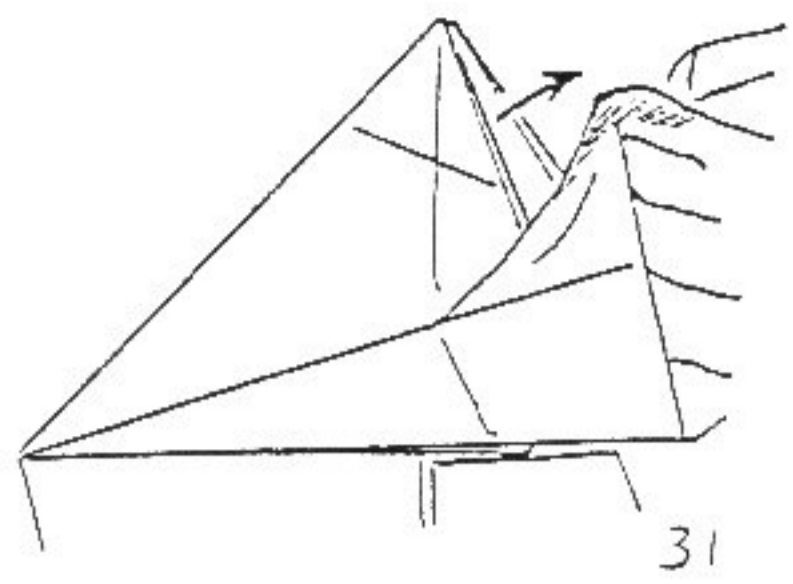
CHERUB

Herman van Goubergen (Belgium)

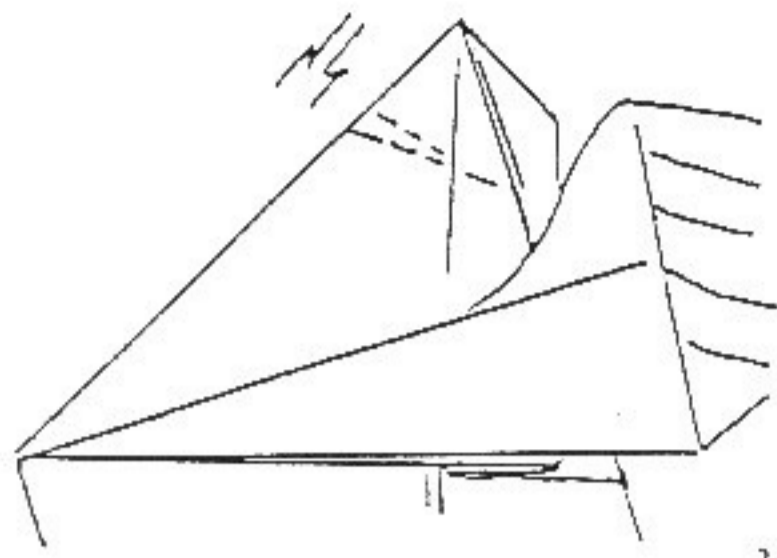
Use a white/gold square; start with a bird base, white side out



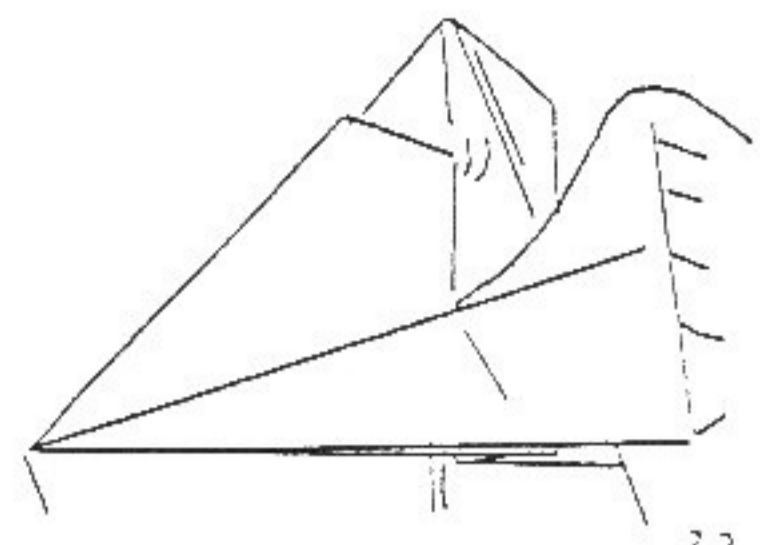




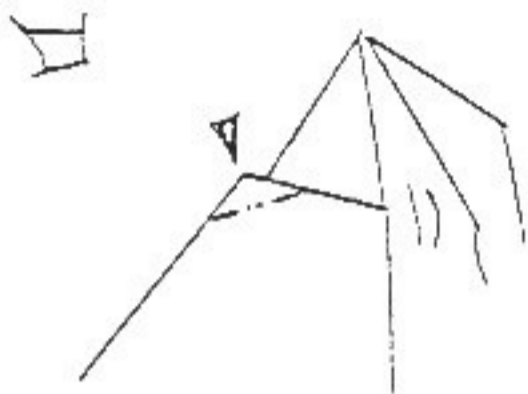
31



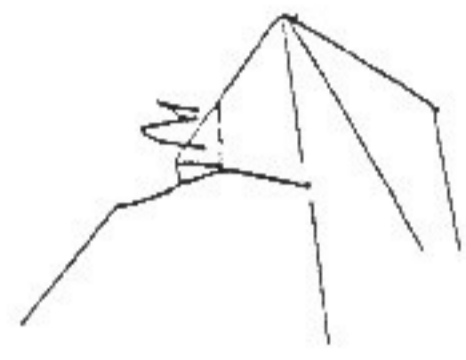
32



33



34



35



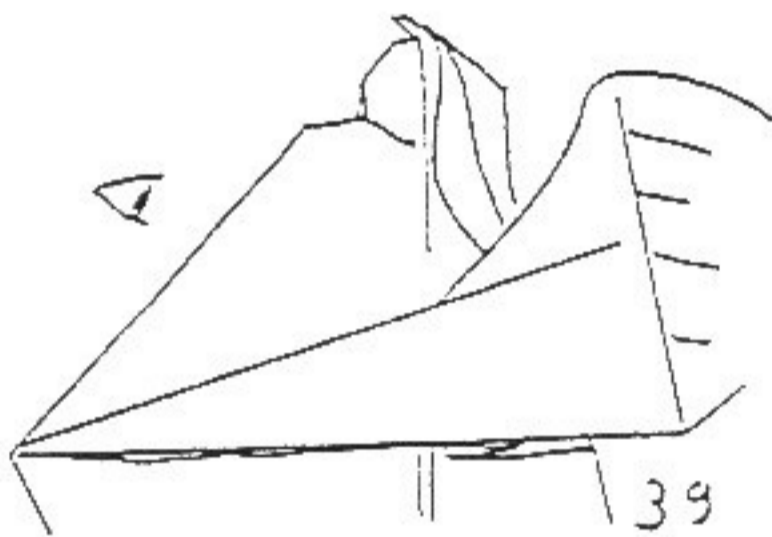
36



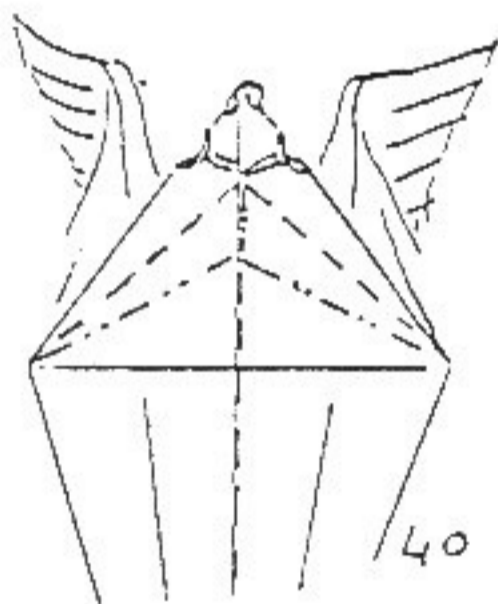
37



38



39



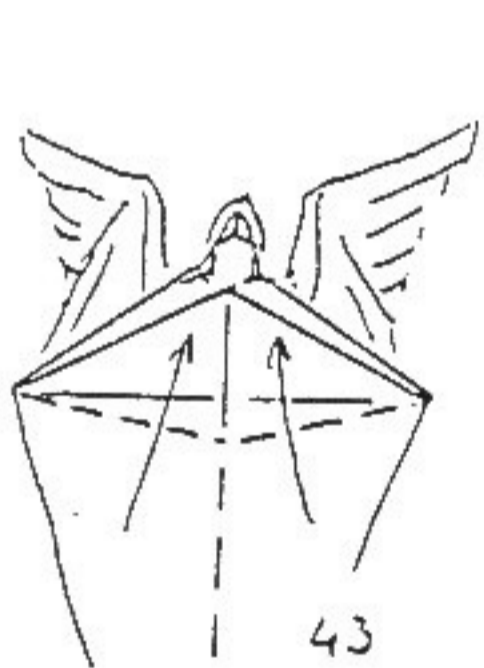
40



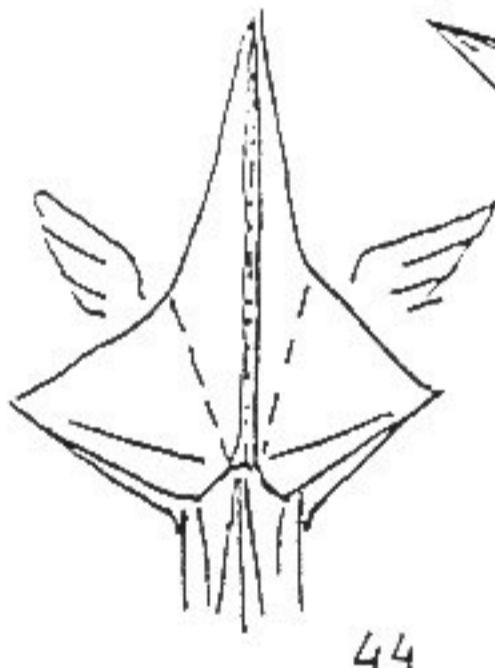
41



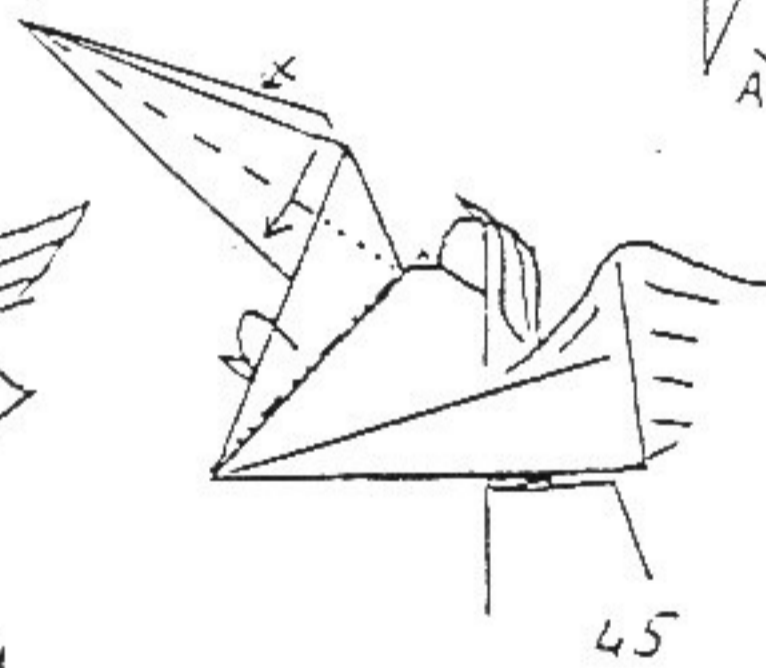
42



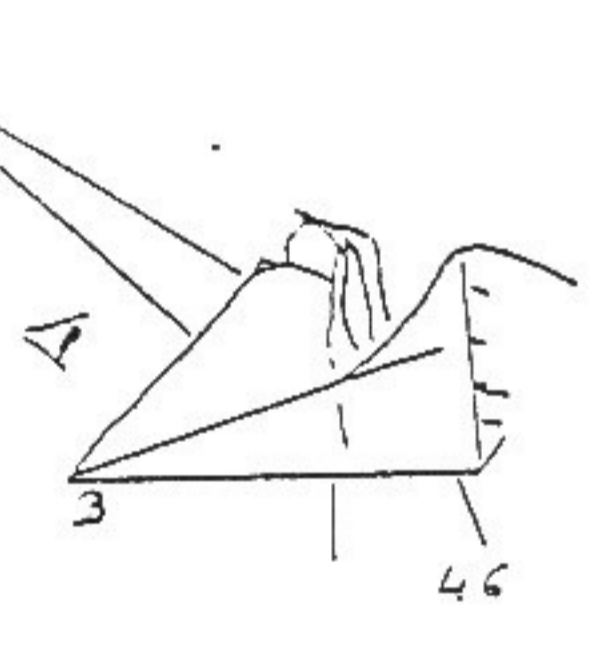
43



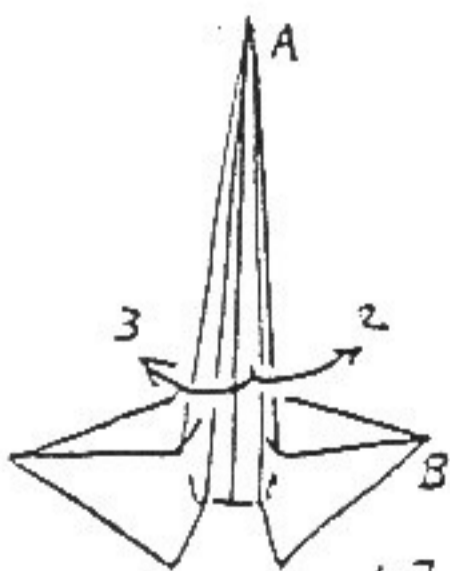
44



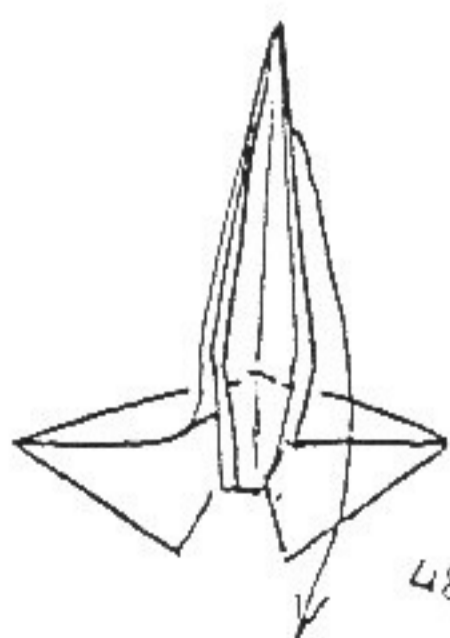
45



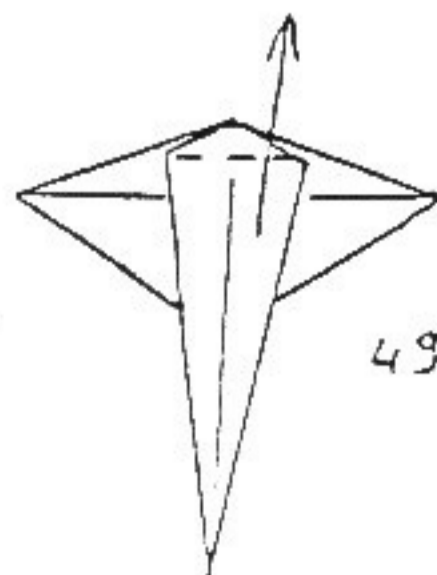
46



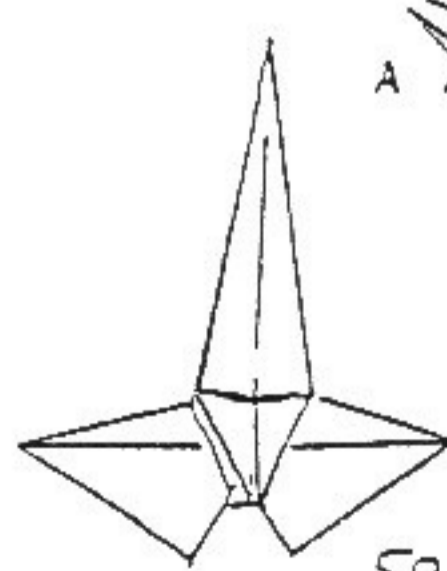
47



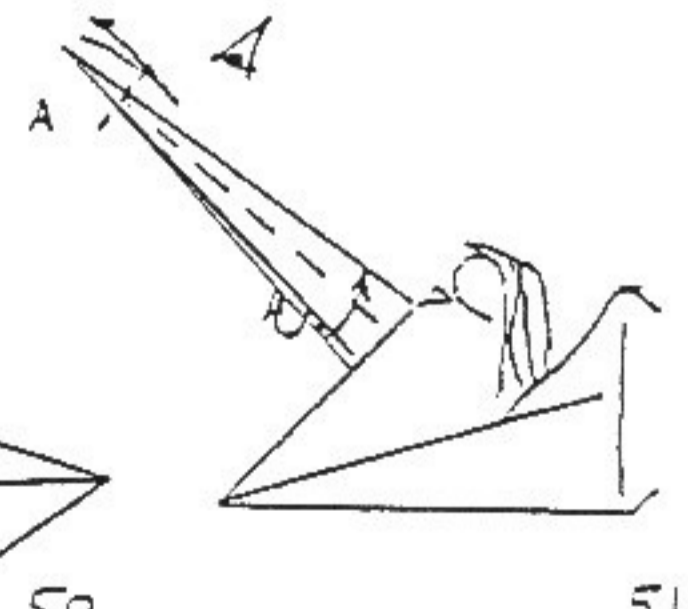
48



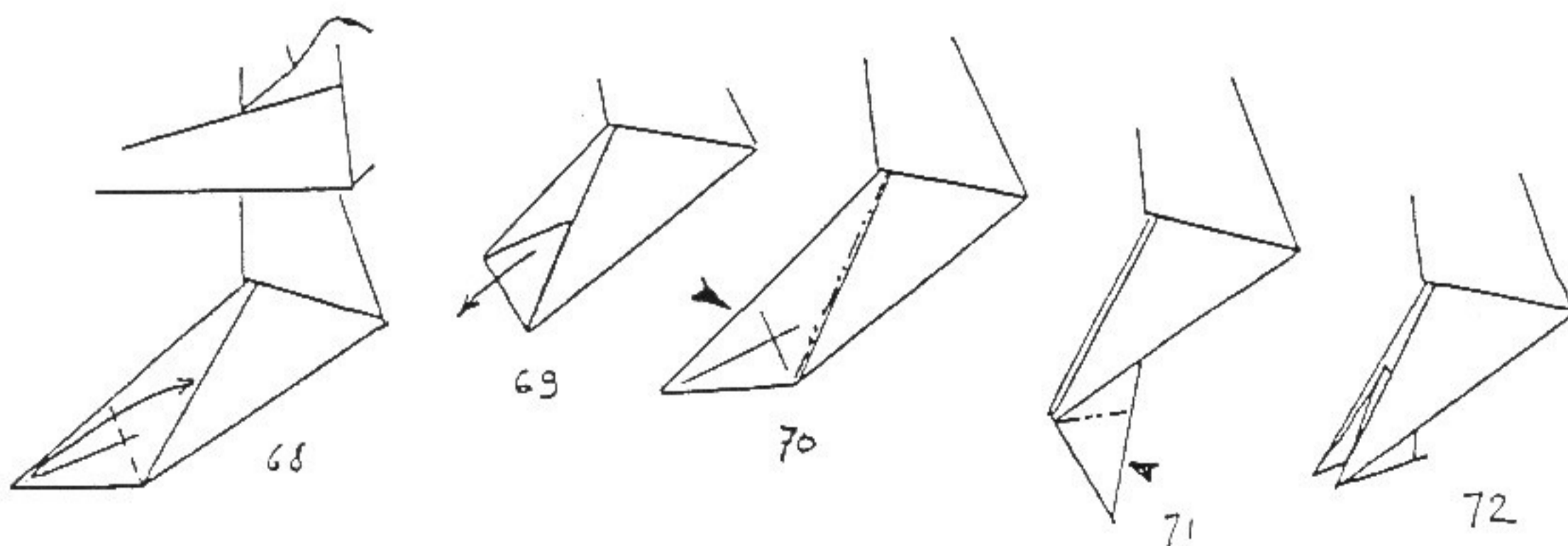
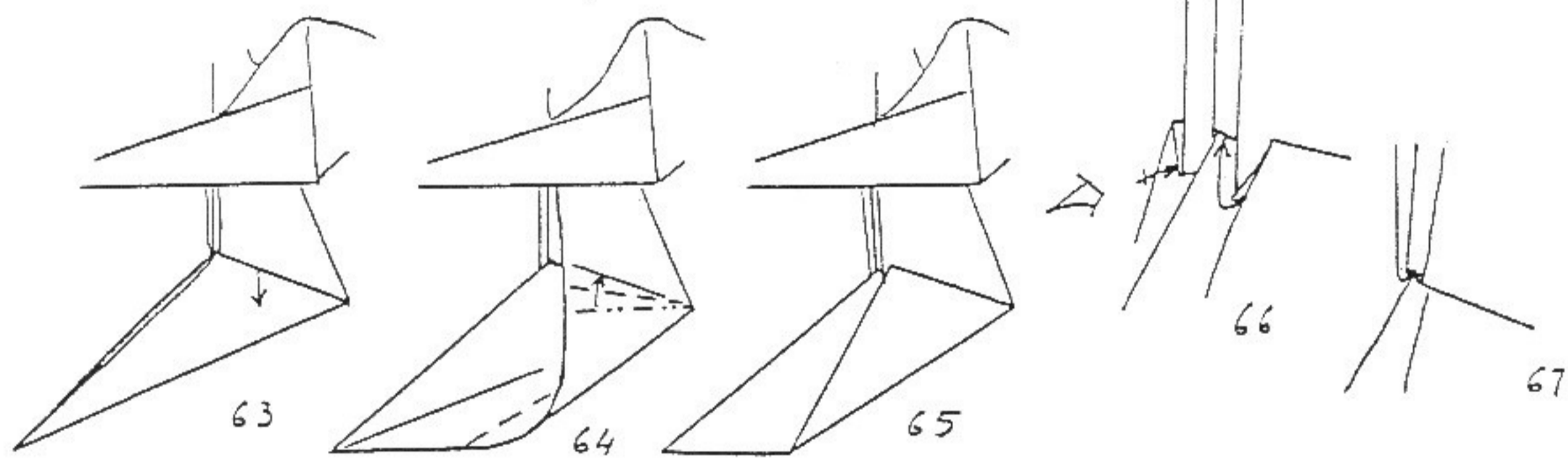
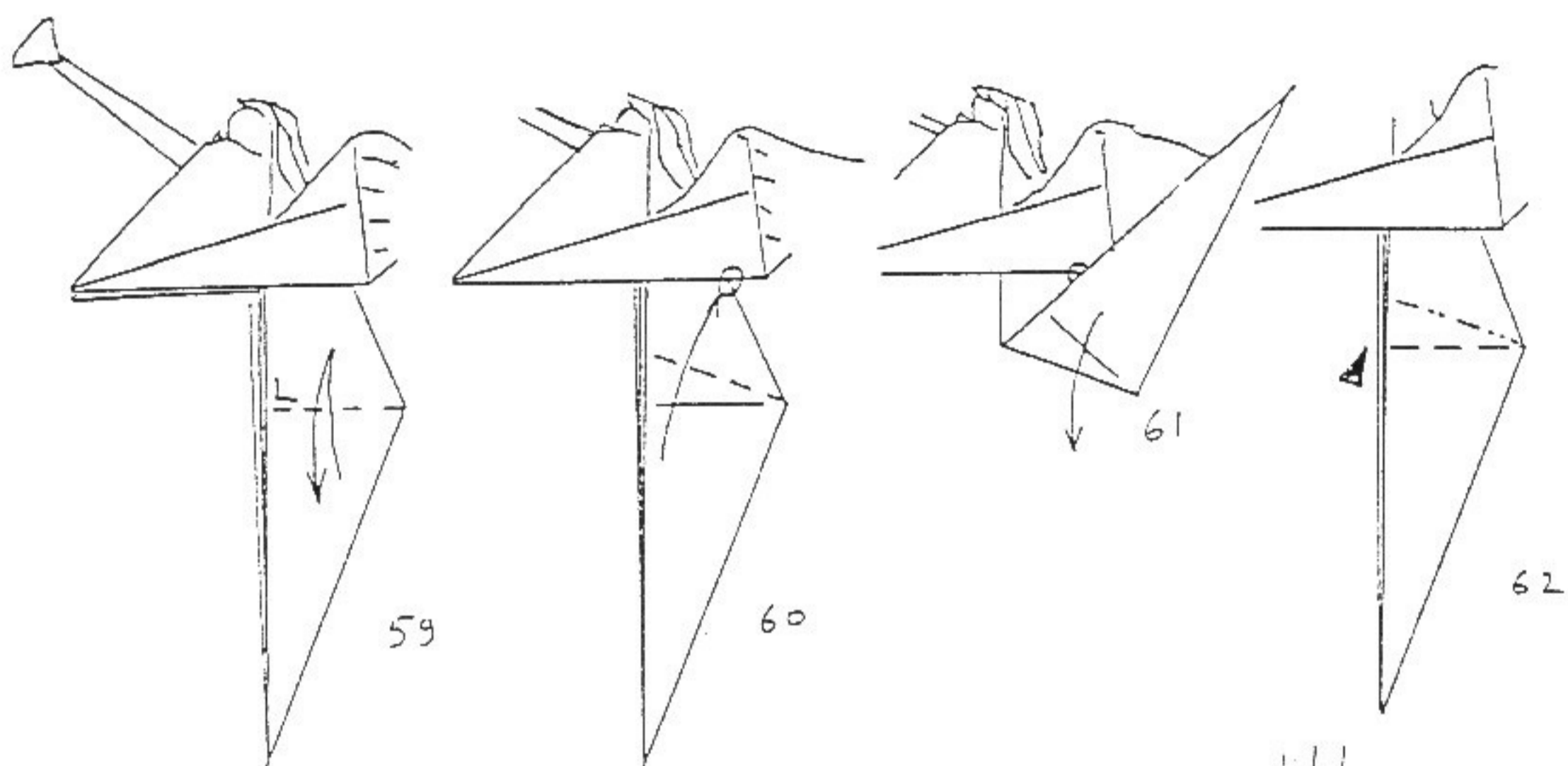
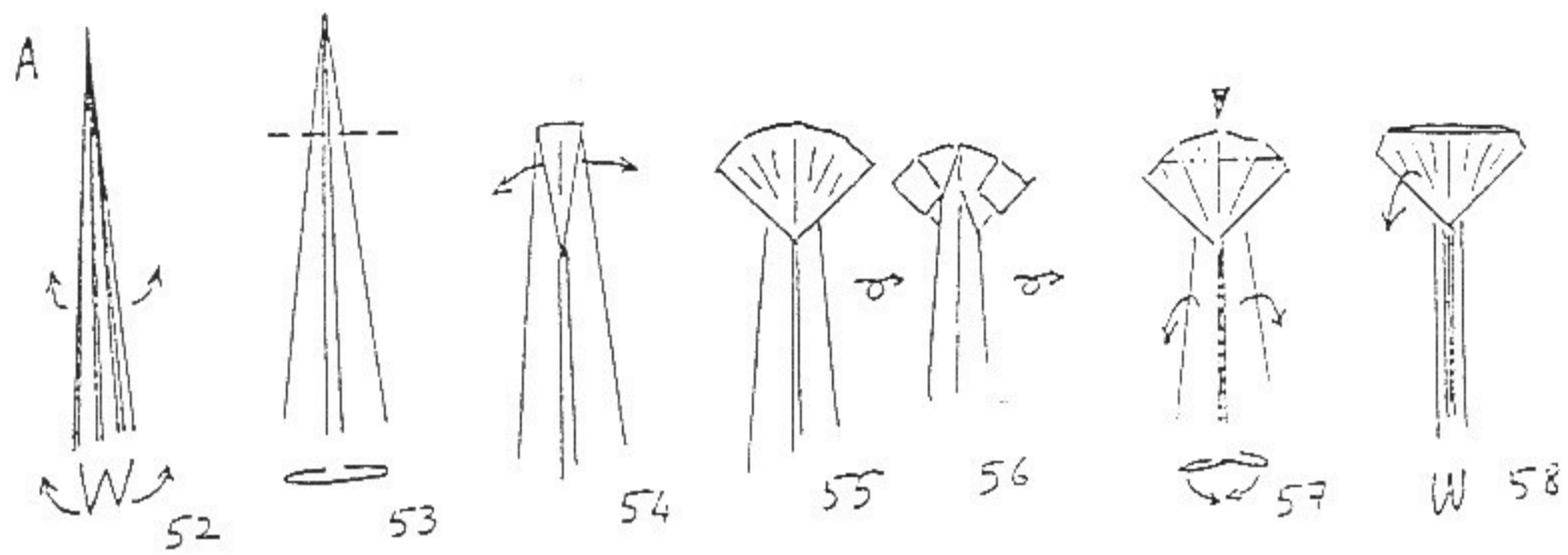
49

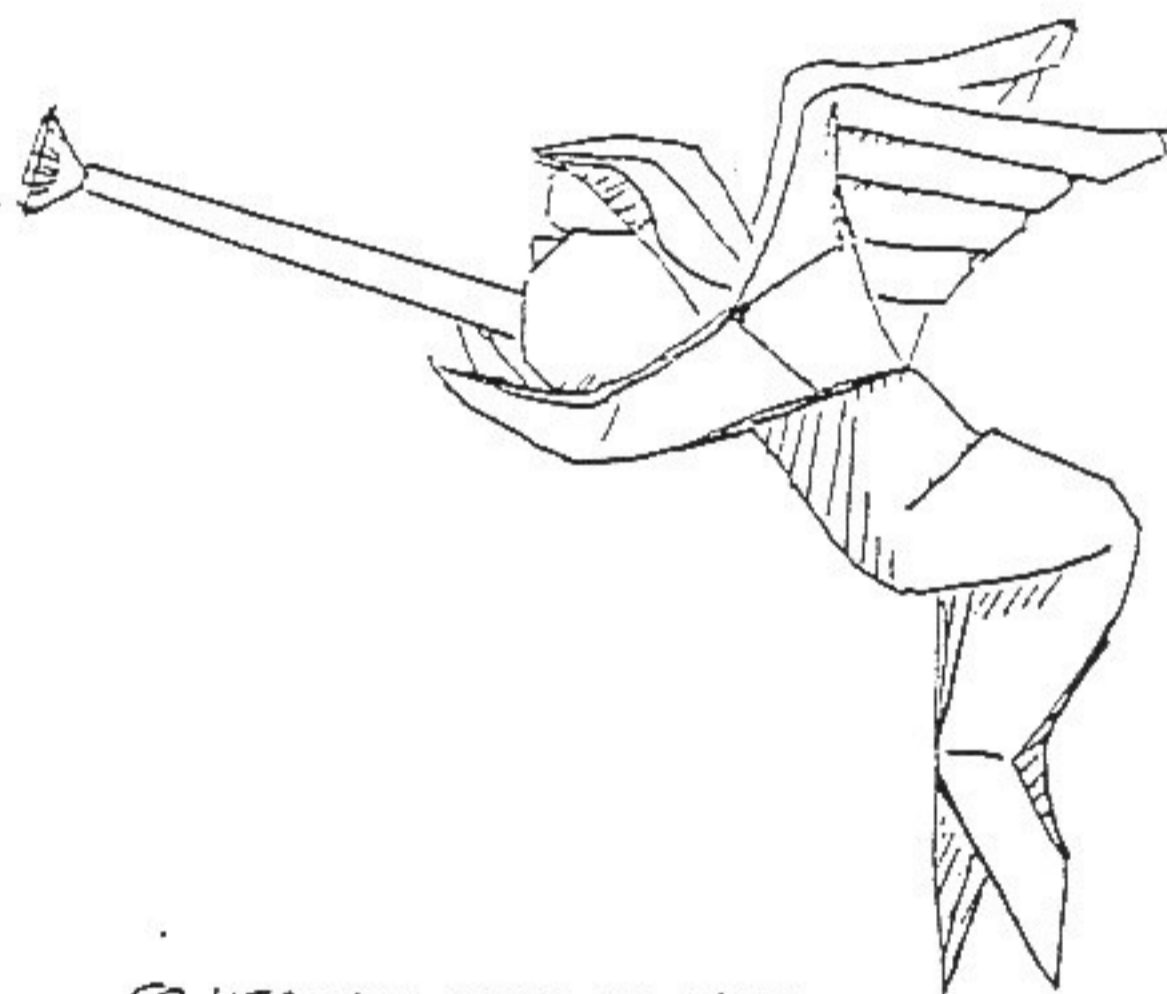
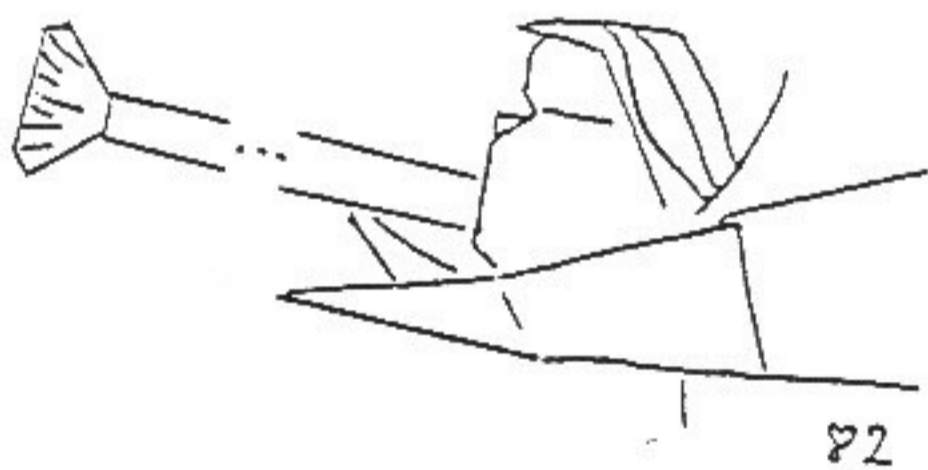
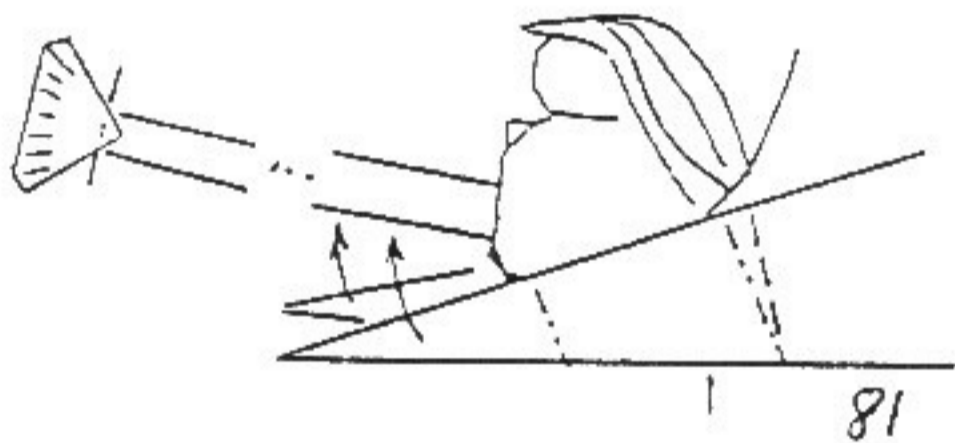
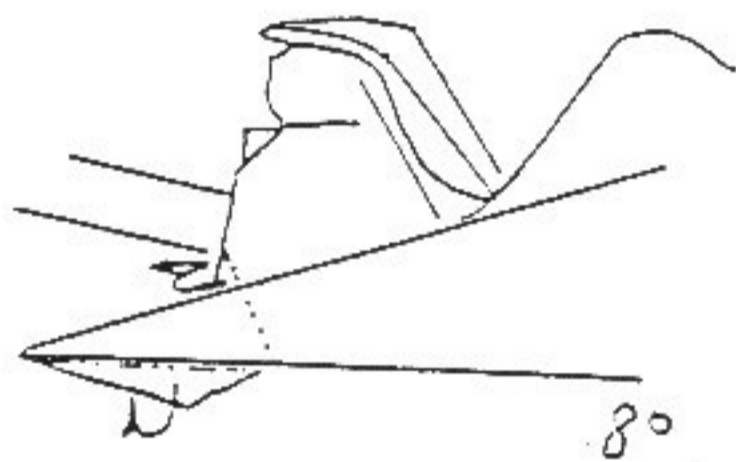
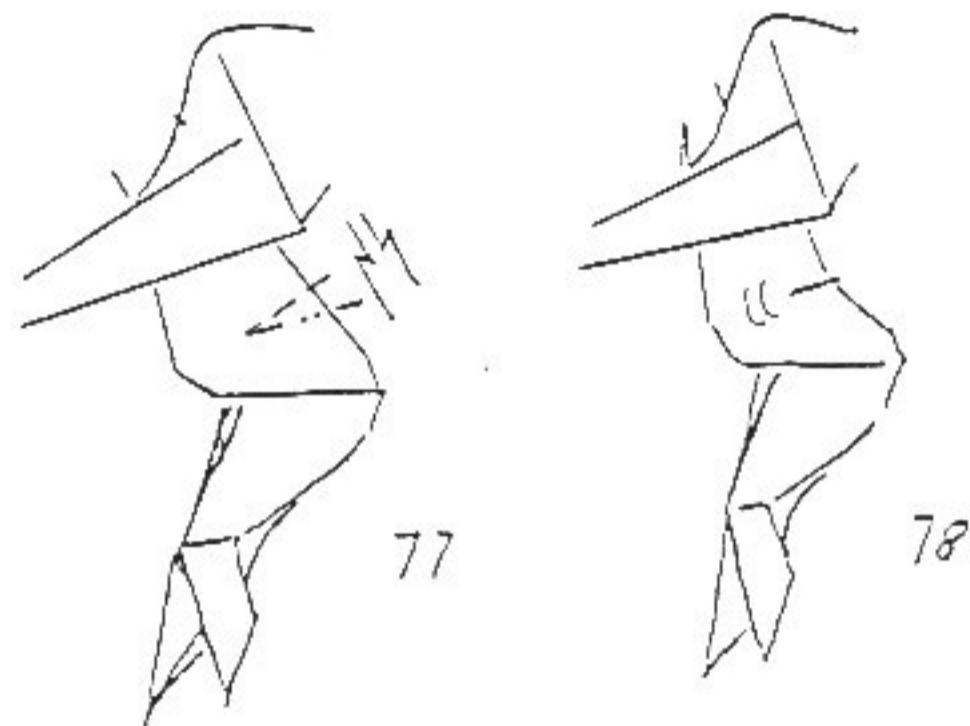
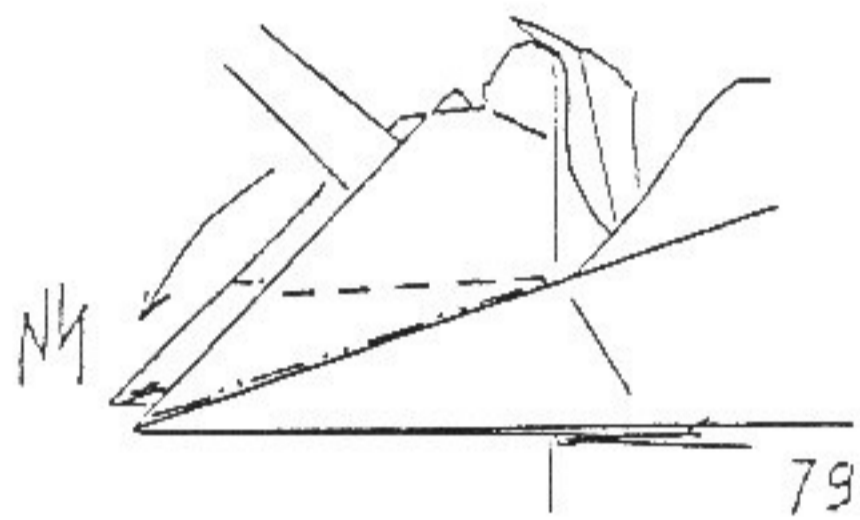
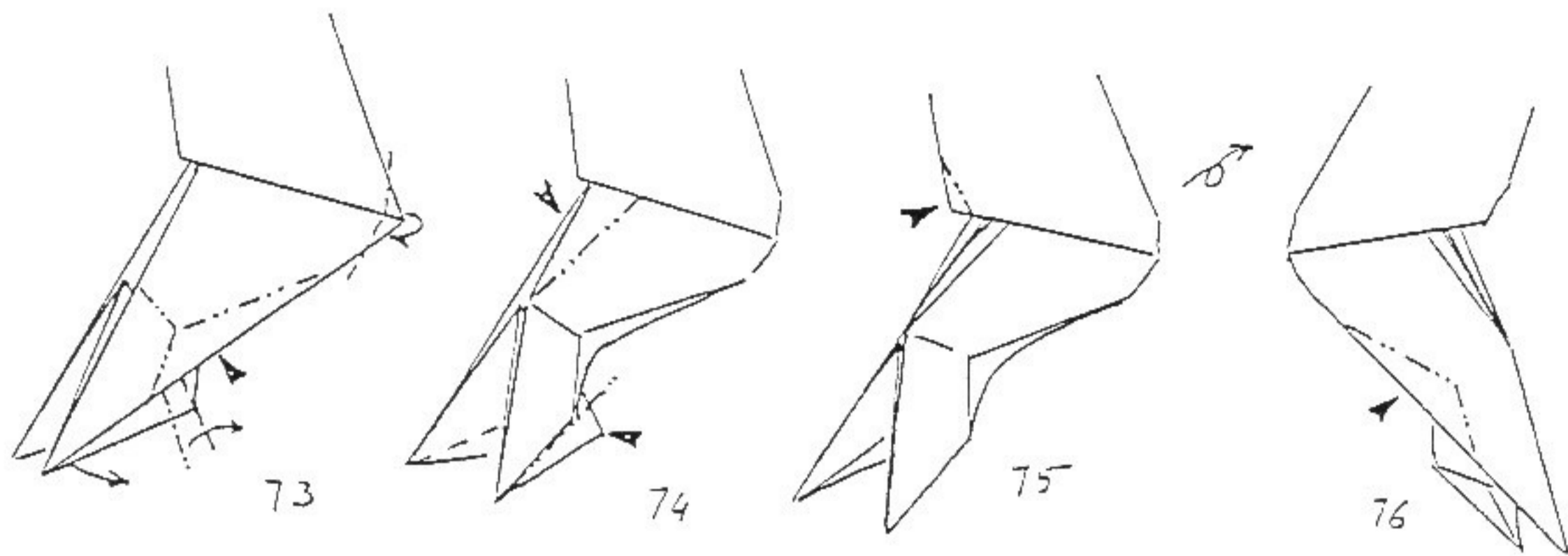


50



51





© HERMAN VAN GOUBERGEN 1993